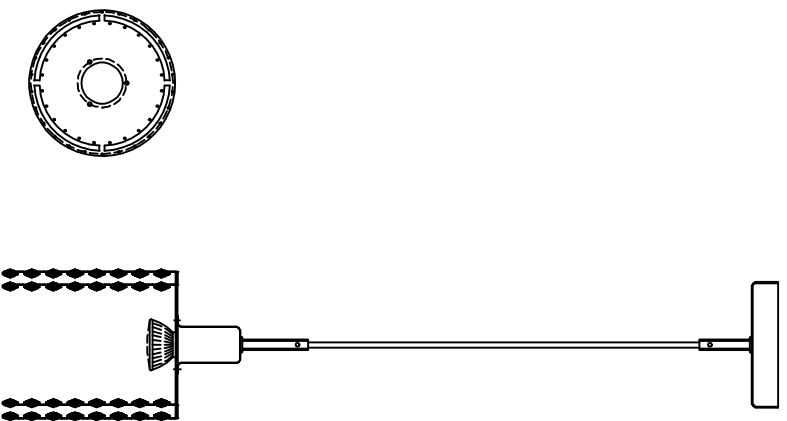


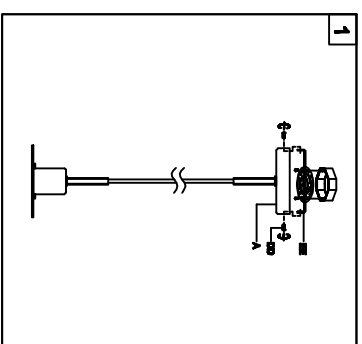
Trade Mark:  
CRYSTAL WORLD INC

Product Name: Pendant lamp  
Model :4281P-R-R  
120Vac, 60Hz,AC ONLY  
Lamp Size:Ø6"XH48"



## PENDANT LAMP ASSEMBLY INSTRUCTIONS

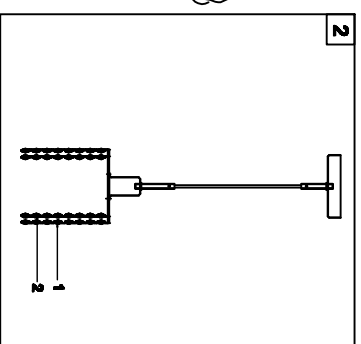
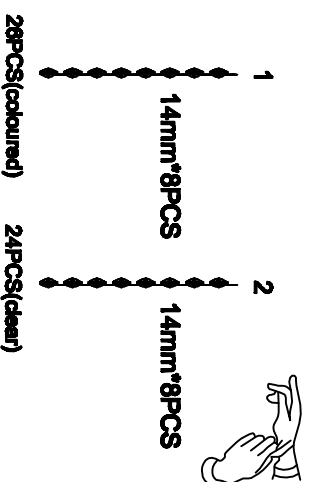
1. Place fixture(A) onto cross bar (EE).  
secure with mounting screw (DD).



### Hardware Used

CC Mounting screw  X 2

2. Please hang the crystal(1) (2) to the  
fixture .



3. Install light bulbs ( not included).  
Use bulb  
**120V GU10 1\*35W Max.**

