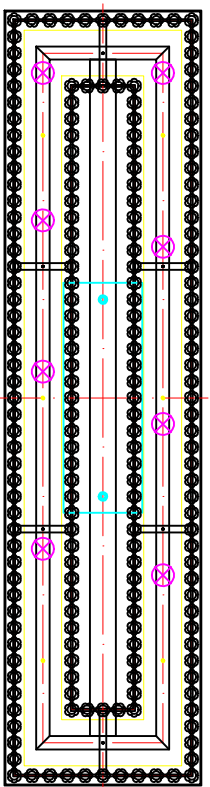
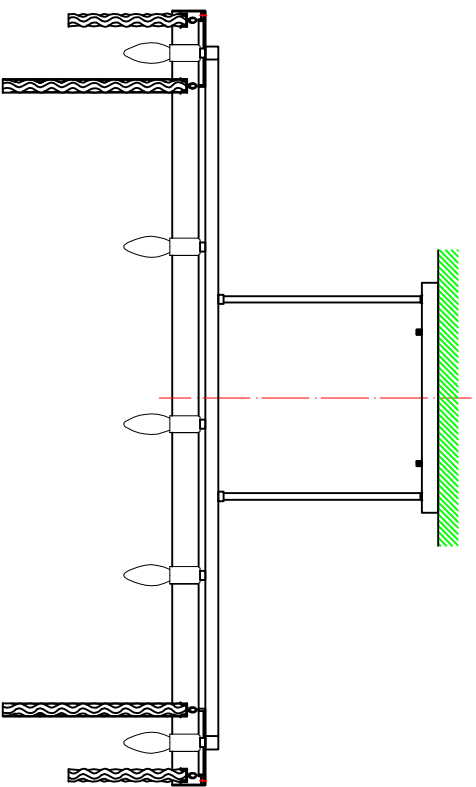


Product Name: Pendant lamp
Model : 5695P-46-10-601-RC
120Vac, 60Hz AC ONLY
Lamp Size: L46" *W12" *H13" *H72"

Trade Mark:
CRYSTAL WORLD INC

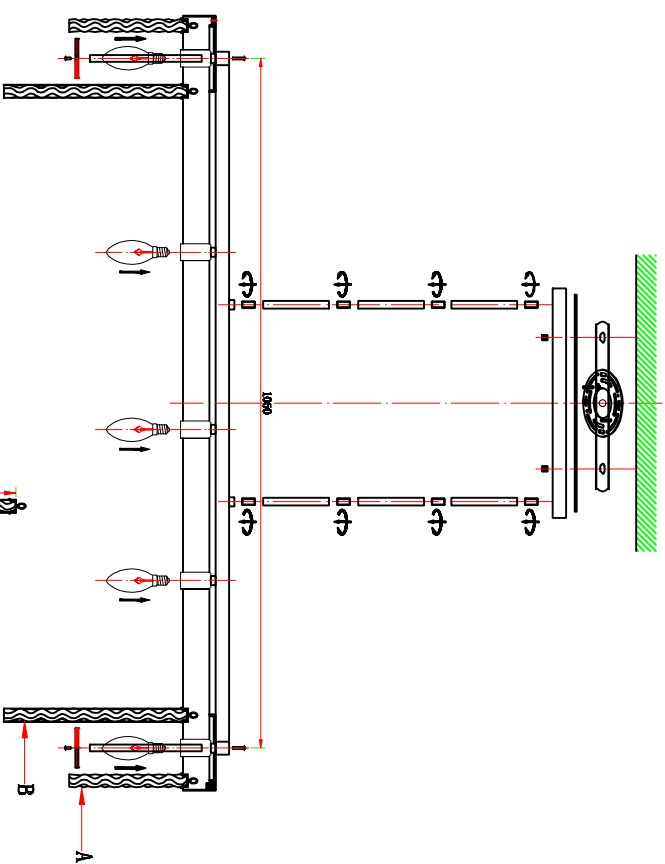


PENDANT LAMP ASSEMBLY INSTRUCTIONS

1. Install bulb(s) (NOT INCLUDED), USE 120V E12



10*60W Max.



A/112PCS
 191

B/84PCS
 280

